

Gas Information Sheet 25

Domestic gas cooking appliance overhead clearances



Purpose

This information sheet was developed to explain the **new minimum overhead clearance** required between domestic gas cooking appliances and rangehoods, exhaust fans and downward facing combustible surfaces.

AS/NZS 5601.1: 2022 Gas installations Part 1: General installations, published on 30 September 2022, increased the minimum clearance from a gas cooking appliance to a rangehood.

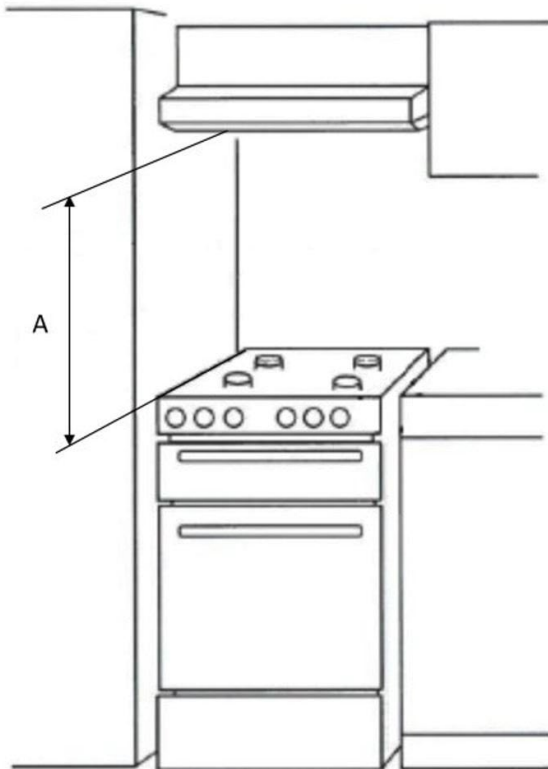
This sheet explains the clearance requirements and addresses some frequently asked questions relating to the requirements.

Domestic gas cooking appliance clearances

Rangehoods and exhaust fans need to be installed in accordance with the manufacturer's installation instructions. Where a difference occurs between the rangehood and gas cooking appliance installation instructions the greater of the clearances listed is to apply.

New installations

Overhead clearances for rangehoods, exhaust fans and downward facing combustible surfaces – New installations AS/NZS 5601.1:2022 Clause 6.10.1.1



Distance – A

From	To	Minimum distance – A
Supporting surface for the cooking vessels of the gas cooking appliance (top of the trivet). Refer to 1 Note	Lowest part of the rangehood .	650 mm minimum unless manufacturer's installation instructions (cooking appliance/range hood) require a greater distance.
Supporting surface for the cooking vessels of the gas cooking appliance (top of the trivet).	Lowest part of the exhaust fan .	750 mm

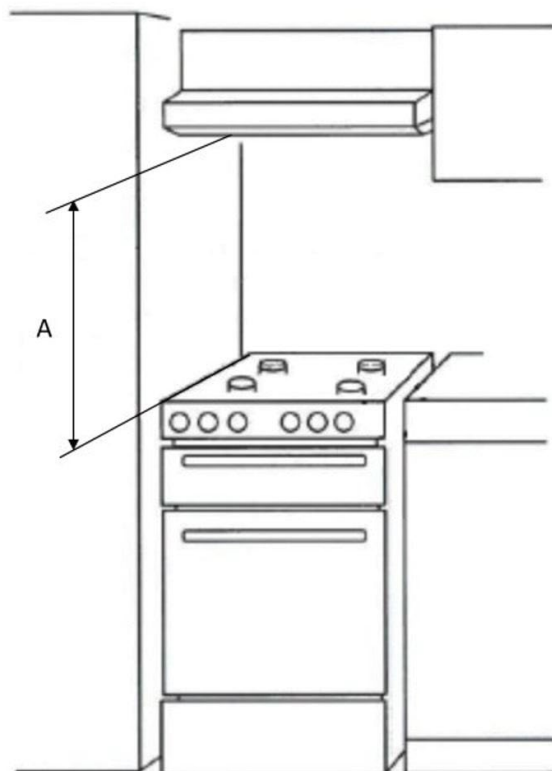
For any other downward facing combustible surface less than 650 mm above the **supporting surface for the cooking vessel (top of the trivet)**, the whole of that surface shall be protected for the full width and depth of the cooking surface in AS/NZS 5601.1 Appendix C.

The absolute minimum clearance height distance for any surface above the **supporting surface for the cooking vessel (top of the trivet)** is 450 mm.

Existing installations

Overhead clearances for rangehoods, exhaust fans and downward facing combustible surfaces – Existing installations AS/NZS 5601.1:2013 Clause 6.10.1.1

For existing installations and where an appliance is to be replaced – from 30 March 2023 the following requirements can apply.



The currency and accuracy of this Gas Information Sheet is not guaranteed once printed or saved to a storage device.

Check Energy Safe Victoria's website for the current version.

Distance – A

From	To	Minimum distance – A
The highest part of the highest burner of the appliance or highest part of the hob.	Lowest part of the rangehood .	650 mm minimum unless manufacturer's installation instructions (cooking appliance/range hood) require a greater distance.
The highest part of the highest burner of the appliance or highest part of the hob.	Lowest part of the exhaust fan .	750 mm
For any other downward facing combustible surface less than 600 mm above the highest part of the highest burner or highest part of the hob , the whole of that surface shall be protected for the full width and depth of the cooking surface as described in AS/NZS 5601.1 Appendix C.		
The absolute minimum clearance height distance for any surface above the highest part of the highest burner or higher part of the hob is 450 mm.		

Frequently Asked Questions

1. From 30 March 2023 what do I need to consider when changing over a gas cooker/hot plate for kitchens built before this date?

You must firstly check the installation instructions of the gas cooking appliance being installed for the clearance requirements. If they are greater than the current clearance the rangehood must be raised.

If the gas appliance installation instructions do not mention a clearance then the minimum clearance requirement remains 600mm. If a new rangehood is being installed you will also need to check and comply with any clearance requirements in the rangehood installation instructions.

2. After 30 March 2023, what do I need to consider when installing a gas cooker/hot plate for kitchens built from this date?

If kitchen cabinets are being renewed compliance with AS/NZS 5601 (minimum 650mm) or a greater clearance prescribed in either the gas appliance or rangehood installation instructions must be achieved.

All new installations must meet the minimum clearance prescribed by AS/NZS 5601.1: 2022 (650mm) or greater clearance prescribed in either the gas appliance or rangehood installation instructions.

3. If I changeover an existing gas appliance and the rangehood is less than 600mm, does the rangehood need to be raised?

Yes, the requirement in the 2013 edition of AS/NZS 5601.1 was 600mm which is the minimal clearance applicable for existing installations. Note: The gas appliance installation instructions also need to be followed in the first instance and the greater of the clearances listed is to apply.

4. What clearance will I need to meet when installing a new gas cooking appliance in an existing house which has had a full kitchen renovation?

In the case of a kitchen renovation in an existing property where new cupboards and rangehoods have been installed, gasfitters will be expected to install the gas cooking appliance in accordance with the new gas installation clearances, 650mm minimum or the clearance prescribed in the gas appliance installation instructions or rangehood installation instructions whichever is greater.

The currency and accuracy of this Gas Information Sheet is not guaranteed once printed or saved to a storage device.

Check Energy Safe Victoria's website for the current version.

5. Why were the clearances changed from 600mm to 650mm?

The clearances were changed in the standard to make the standard consistent with the international safety standard for rangehoods (IEC 60335-2-31).

6. Where do you take the measurements from when installing a gas cooking appliance in a new kitchen from 30 March 2023?

The measurements are to be taken from the top of the trivet of a gas cooking appliance. Removable accessories such as a wok trivet that sits upon a hob trivet or minor elevations in trivets for wok burners are not taken into account when measuring from the gas cooking appliance. Please note this is a change from previous edition of standard which was measured from the top of the highest burner.

7. Where do you take the measurements from when installing a gas cooking appliance in an existing kitchen built before 30 March 2023?

The measurements is to be taken from the highest part of the highest burner of the gas cooking appliance or the highest part of the hob. This will depend on whether the original cooking appliance was installed to AS5601:2004 or earlier editions of that standard where measurements were taken from the highest part of the hob, or to AS/NZS5601.1:2013 (adopted 31 March 2014 in Victoria) where measurements were taken from the highest part of highest burner.

Who we are

At Energy Safe Victoria we work to keep Victoria energy safe.

We regulate the energy industry and sector to ensure generation, supply and usage uphold safety standards, and engage with the community to raise awareness of energy safety risks.

In everything we do, we strive to deliver on our purpose to keep Victoria energy safe. Always.

www.energysafe.vic.gov.au